

# Parts and Accessories.

## Installation Instructions.



### Facelift tail lights retrofit

MINI ONE (R50)

MINI COOPER (R50)

MINI COOPER S (R53)

**Retrofit kit No.** 63 21 0 309 436

#### Installation time

The installation time is 1.25 hours, but this may vary depending on the equipment in the car.

#### Important information

These installation instructions are primarily designed for use within the MINI dealership organisation and by authorised BMW service companies.

In any event the target group for these installation instructions is specialist personnel trained on MINI cars with the appropriate specialist knowledge.

All work must be completed using the latest MINI repair manuals, circuit diagrams, servicing manuals and work instructions in a rational order using the prescribed tools (special tools) and observing current health and safety regulations.

**To avoid unnecessary extra work and/or costs, if any installation or function problems occur, after a brief troubleshooting session (approx. 0.5 hours), an inquiry is to be sent straight away to the technical parts support via the Aftersales Assistance Portal (ASAP), quoting the chassis number, the part number of the retrofit kit and a precise description of the problem.**

Do not archive the hard copy of these installation instructions since daily updates are made by ASAP.

See ASAP for details of the pictograms.

All the figures show LHD cars, proceed in exactly the same way on RHD cars.

#### Pictograms



Denotes instructions that draw your attention to special features.

◀ denotes the end of the instruction or other text.

Subject to technical modifications. Ensure that the cables/lines are not kinked or damaged as you install them in the car. The costs incurred as a result of this will not be reimbursed by BMW AG.

Additional cables/lines that you install must be secured with cable ties.

#### Installation information

After the installation work the retrofit kit must be programmed / coded using DISPlus or GT-1 via the **Retrofit/CIP** path.

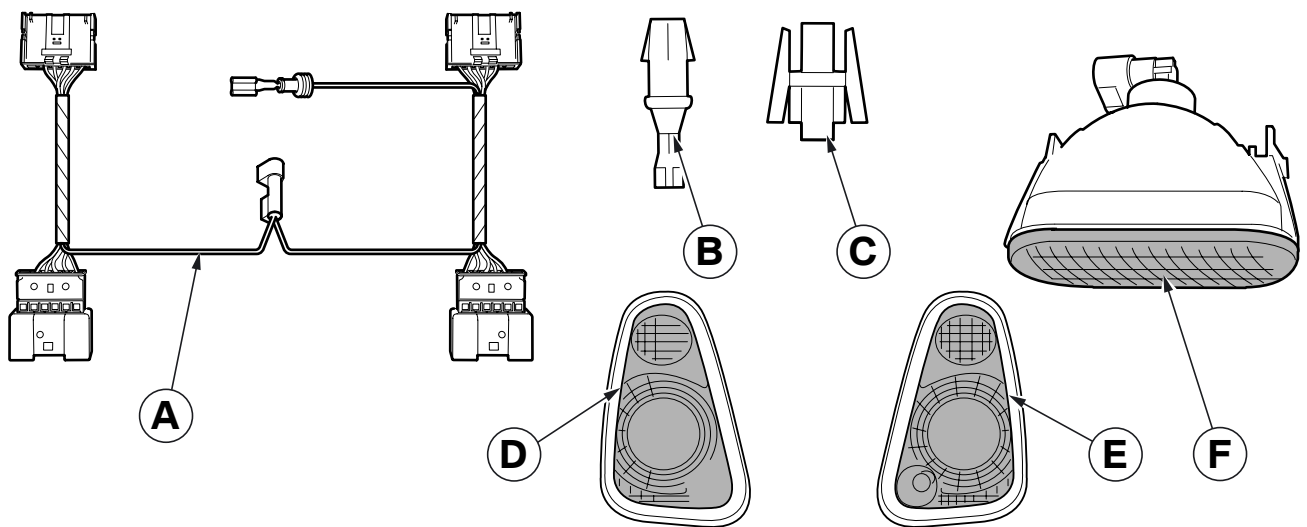
#### Special tools required

None

## Contents

Section	Page
1. Parts list.....	3
2. Preparations.....	4
3. Installation and cabling diagram.....	5
4. Connection diagram.....	6
5. To install and connect the retrofit wiring harness.....	7
6. Concluding work and coding.....	9
7. Circuit diagram.....	10

## 1. Parts list



050 1066 Z

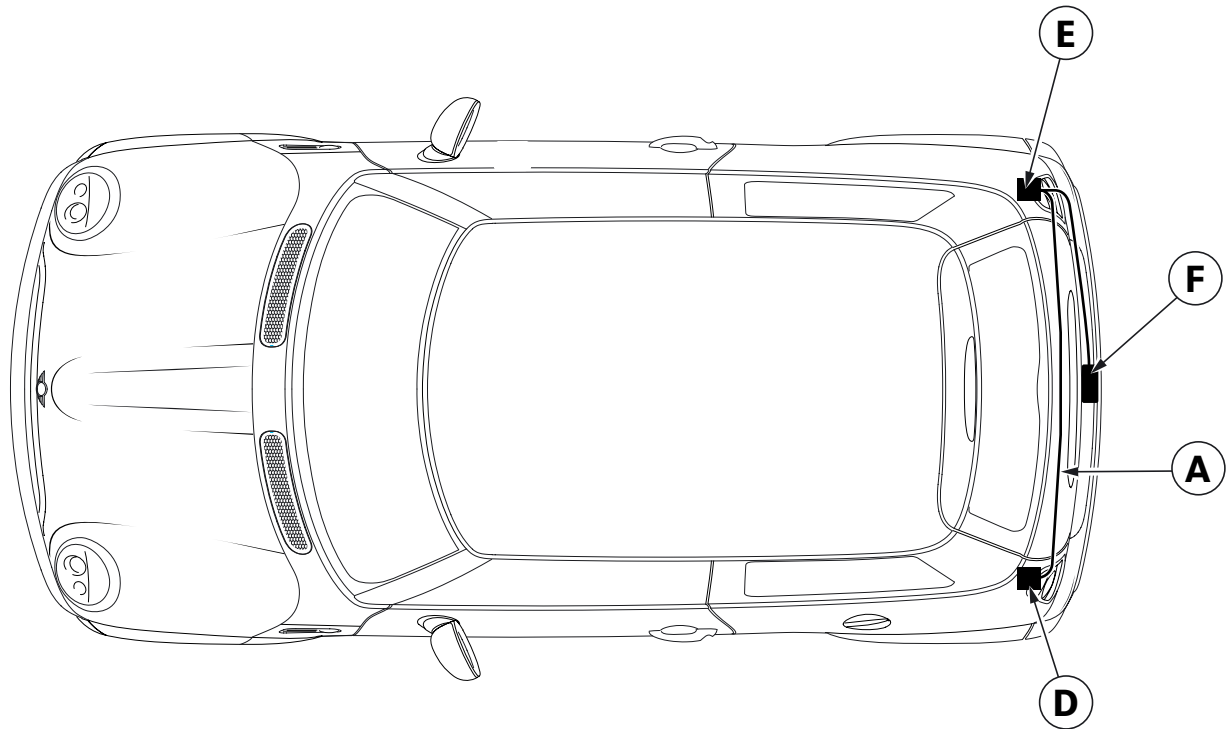
### Legend

- A Retrofit wiring harness
- B Socket contact
- C Socket casing
- D Left tail light
- E Right tail light
- F Rear fog light

## 2. Preparations

	<b>TIS No.</b>
Conduct a brief test	---
Disconnect the negative pole of the battery	12 00 ...
<b>The following components must be removed first of all</b>	
Boot trim	51 47 101
Closing panel trim	51 46 050
Release the side trims on rear left and right	51 43 002
Tail lights, left and right	63 21 180
Reversing light	---

### 3. Installation and cabling diagram

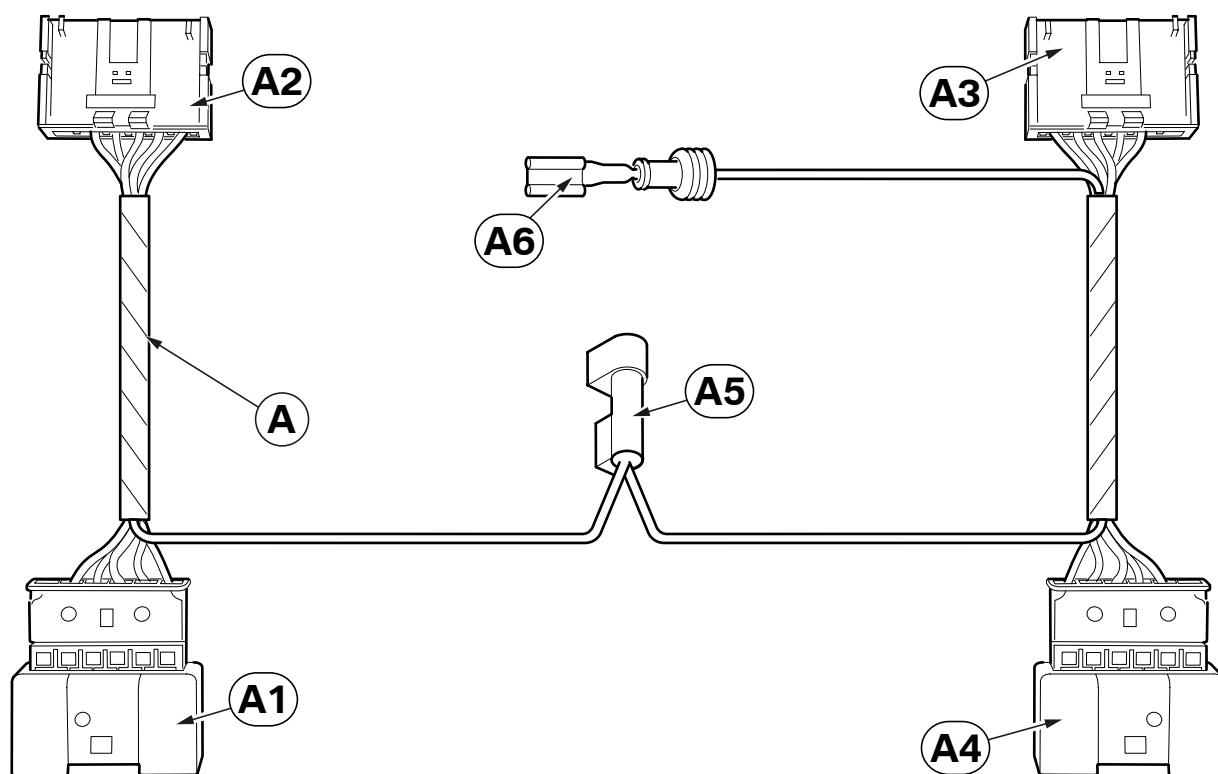


R50 1068 Z

#### Legend

- A Retrofit wiring harness
- D Left tail light
- E Right tail light
- F Rear fog light

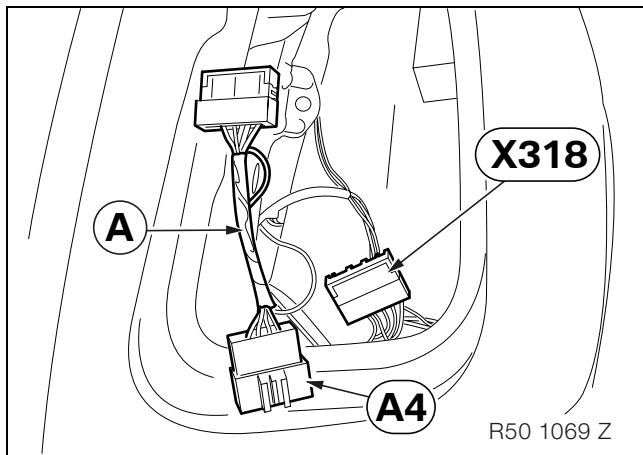
## 4. Connection diagram



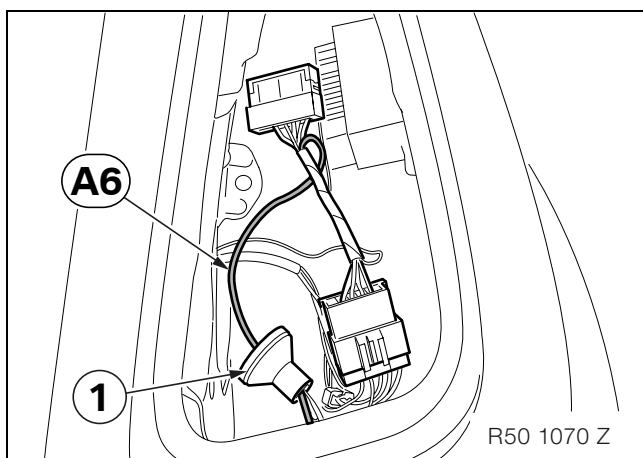
R50 1067 Z

Item	Description	Signal	Cable colour / Cross-section	Connection location in the car	Abbreviation / Slot
A	Retrofit wiring harness	---	---	---	---
A1	6-pin SW plug casing	---	---	Left tail light plug	X 319
A2	6-pin SW socket casing	---	---	Left tail light	---
A3	6-pin SW socket casing	---	---	Right tail light	---
A4	6-pin SW plug casing	---	---	Right tail light plug	X 318
A5	1-pin SW plug casing	Reversing signal	BL/GE 0.75 mm <sup>2</sup>	Tail light wiring harness, rear right	---
A6	Socket contact	NSL	GE/BR 0.75 mm <sup>2</sup>	In 2-pin plug casing on rear fog light	X13419 PIN 1

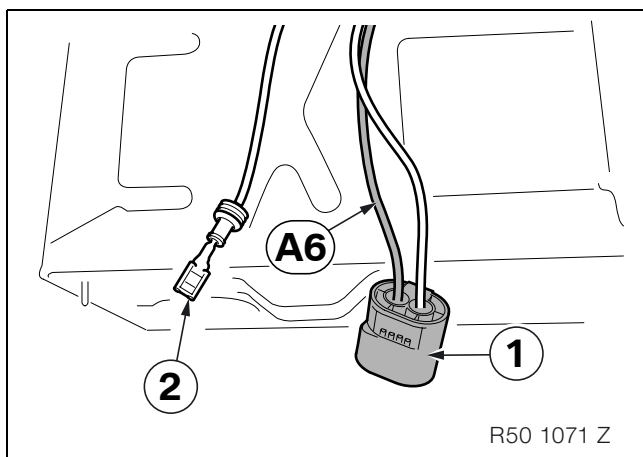
## 5. To install and connect the retrofit wiring harness



Connect connector **A4** from the retrofit kit **A** to plug **X 318**.



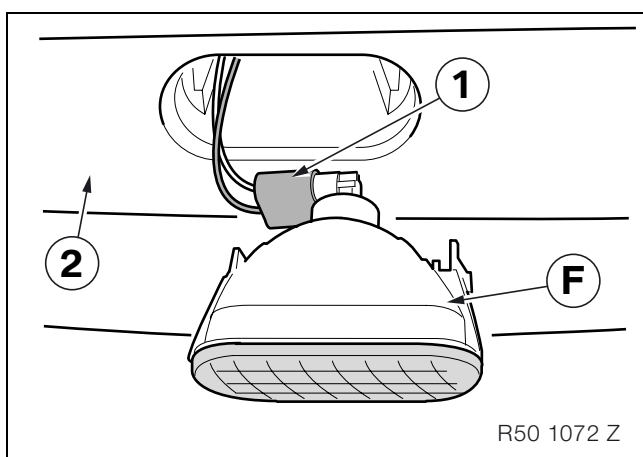
Route connector **A6** through the rubber grommet (1) along the standard wiring harness to the centre of the bumper.



Disconnect the cable in PIN 1, BL/GE cable, from the reversing light plug (1).

Connect connector **A6** to PIN 1 of plug (1).

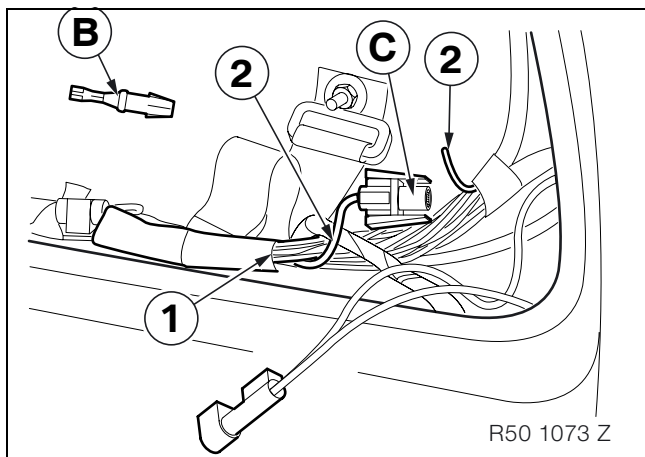
Insulate and tie back the cable (2), BL/GE cable.



Connect the plug (1) to the rear fog light **F**.

Fit the rear fog light **F** into the bumper (2).

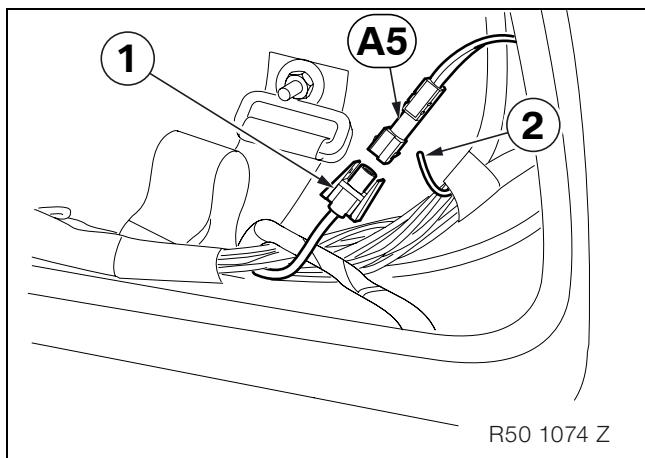
5. To install and connect the retrofit wiring harness



Open the wiring harness (1) at the rear right.

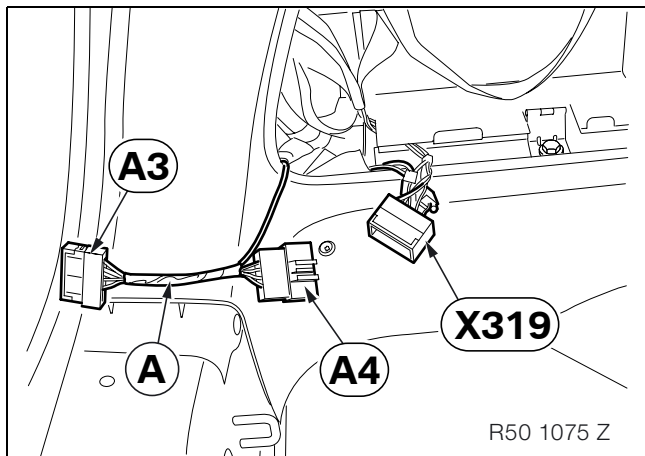
Insulate and tie back the cable (2), BL/GE cable at a suitable point.

Crimp on a socket contact on the car side B and connect it to the socket casing C.



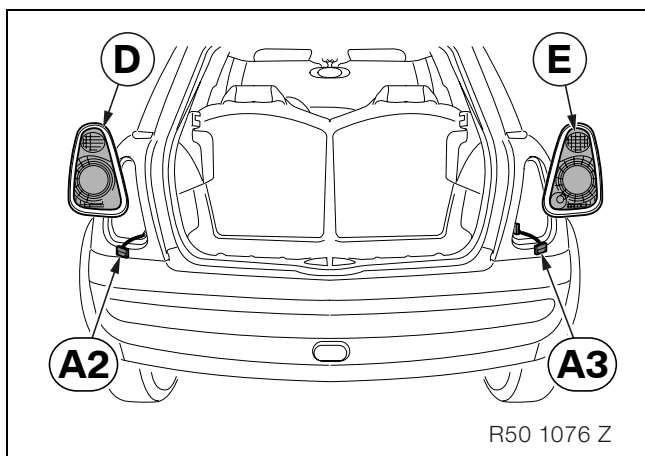
Connect the newly created plug (1) to connector A5.

Insulate and tie back the cable (2).



Route connectors A3 and A4 on the retrofit wiring harness A to the left tail light.

Connect branch A4 to plug X319.



Connect tail lights D and E to connectors A2 and A3.

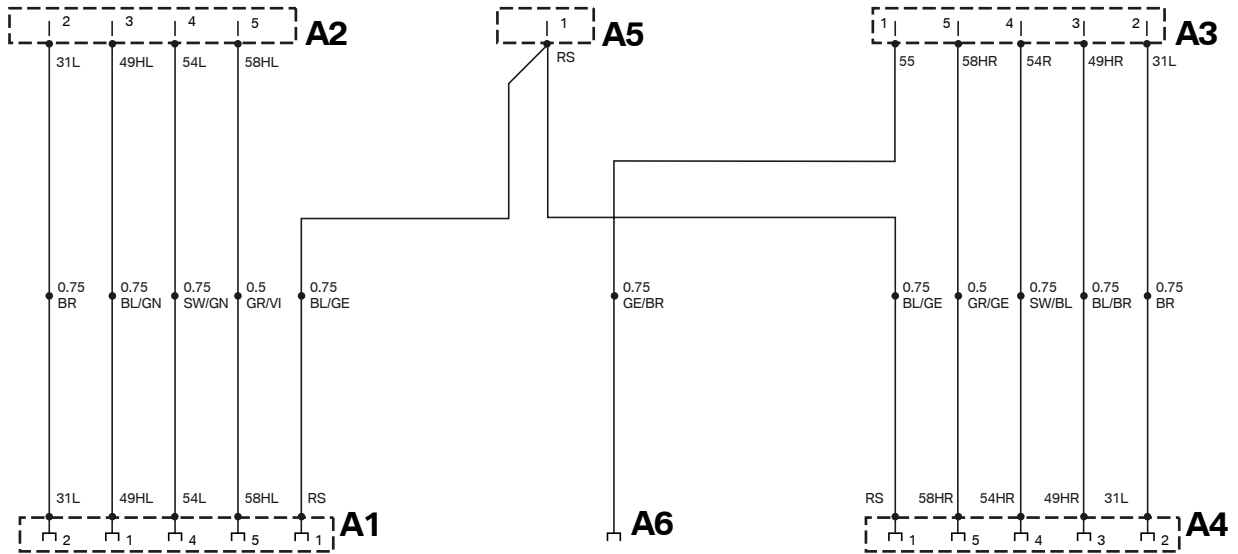
Install the tail lights D and E in the car.



## 6. Concluding work and coding

- Connect the battery
- Encode/program the retrofit using DISPlus or GT-1 via path **Retrofit/CIP**
- Conduct a brief test
- Conduct a function test
- Re-assemble the car

## 7. Circuit diagram



050 1077 Z

### Legend

- A1\*** 6-pin plug SW (left tail light)
- A2\*** 6-pin plug SW (left tail light)
- A3\*** 6-pin plug SW (right tail light)
- A4\*** 6-pin plug SW (right tail light)
- A5\*** 1-pin plug SW
- A6\*** Socket contact

All the designations marked with an asterisk (\*) apply only to these installation instructions or this circuit diagram

### Cable colours

- BL/BR Blue/Brown
- BL/GE Blue/Yellow
- BL/GN Blue/Green
- BR Brown
- GE/BR Yellow/Brown
- GR/GE Grey/Yellow
- GR/VI Grey/Violet
- SW/BL Black/Blue
- SW/GN Black/Green